



Installation instructions, accessories

Volvo Car Corporation Gothenburg, Sweden

Instruction No	Version	Part. No.
31470761	1.3	39842098, 39842099

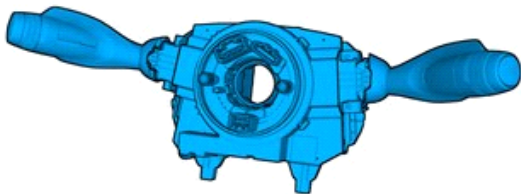
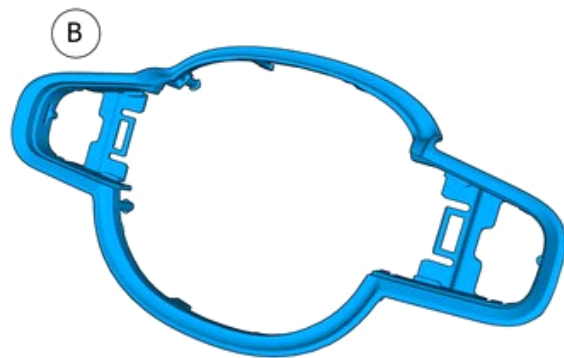
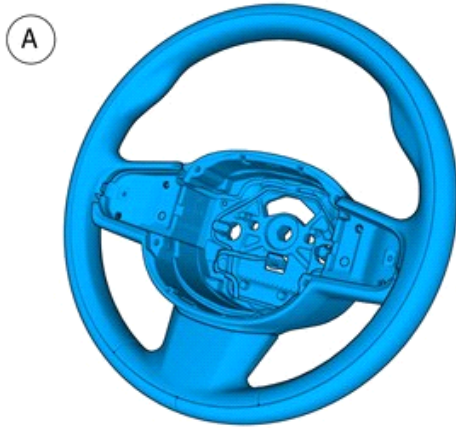
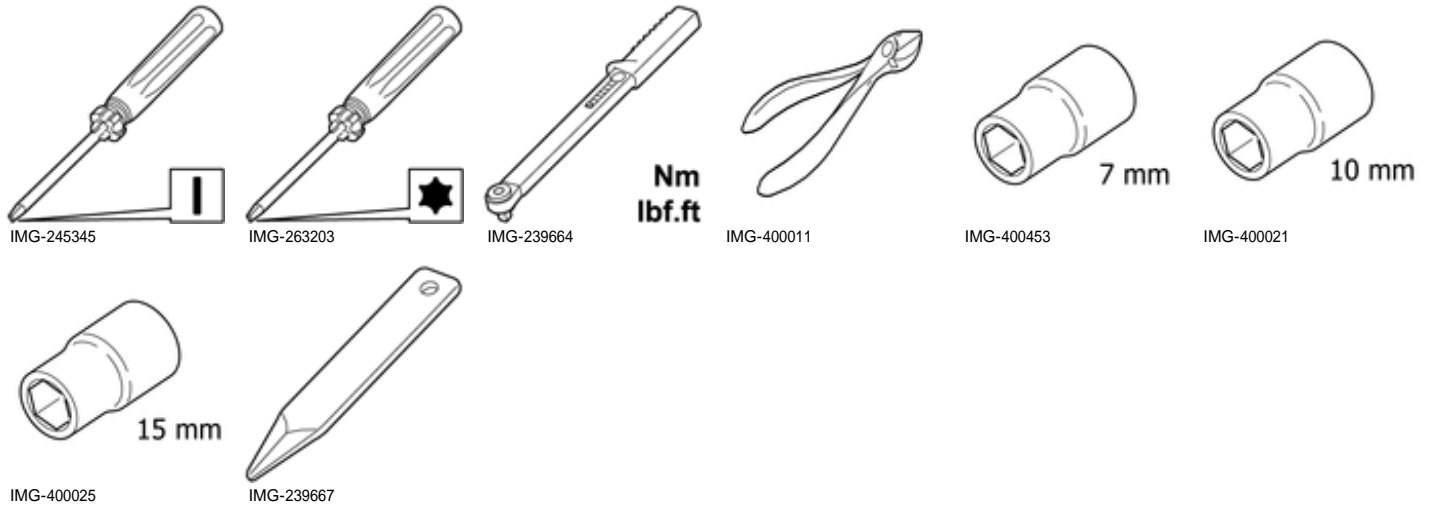
Steering wheel leather heated



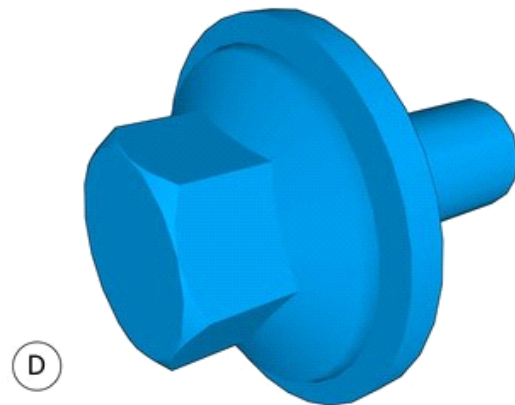
Installation instructions, accessories

Volvo Car Corporation Gothenburg, Sweden

Equipment



IMG-395710





Installation instructions, accessories

Volvo Car Corporation Gothenburg, Sweden

Information

1

Read through all of the instructions before starting installation.

Notifications and warning texts are for your safety and to minimise the risk of something breaking during installation.

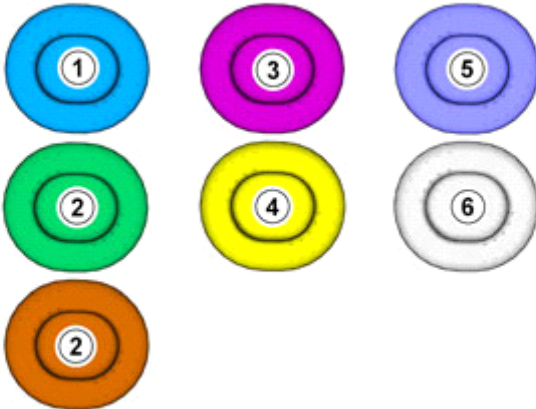
Ensure that all tools stated in the instructions are available before starting installation.

Certain steps in the instructions are only presented in the form of images. Explanatory text is also given for more complicated steps.

In the event of any problems with the instructions or the accessory, contact your local Volvo dealer.

Color symbols

2



IMG-363036

Note!

This colour chart displays (in colour print and electronic version) the importance of the different colours used in the images of the method steps.

- Used for focused component, the component with which you will do something.
- Used as extra colors when you need to show or differentiate additional parts.
- Used for attachments that are to be removed/installed. May be screws, clips, connectors, etc.
- Used when the component is not fully removed from the vehicle but only hung to the side.
- Used for standard tools and special tools.
- Used as background color for vehicle components.

Removal



Installation instructions, accessories

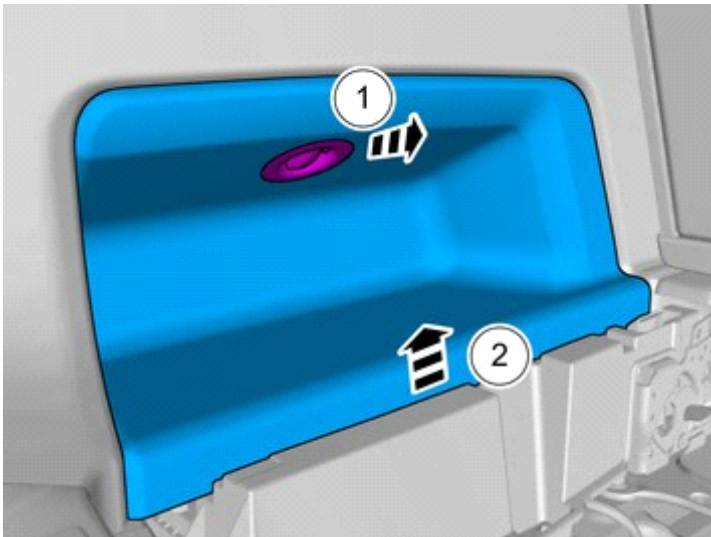
Volvo Car Corporation Gothenburg, Sweden

3



IMG-394535

4

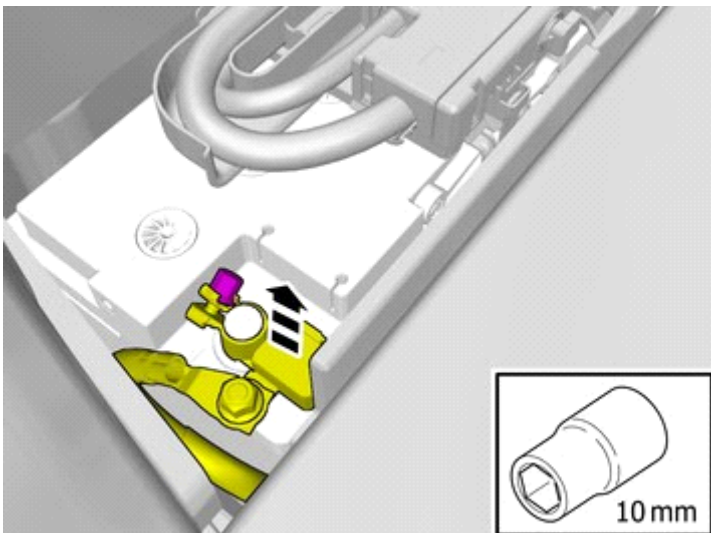


IMG-387004

Release the lock.

Remove the panel.

5



IMG-394520

Remove the battery's negative cable.



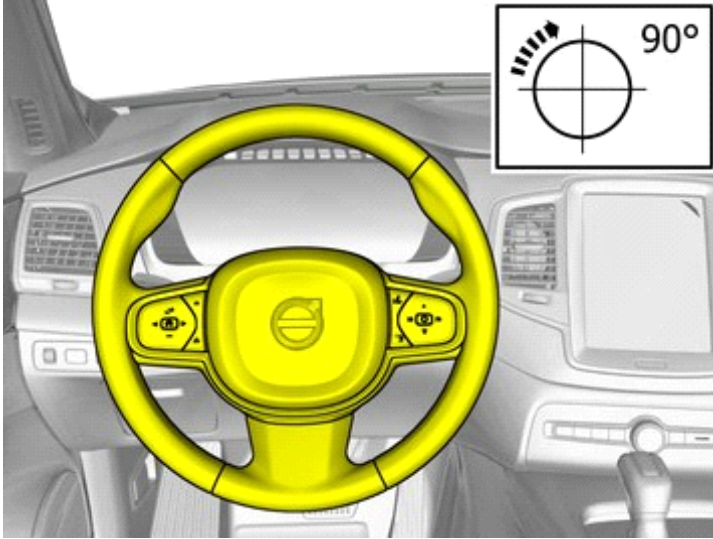
Installation instructions, accessories

Volvo Car Corporation Gothenburg, Sweden

6

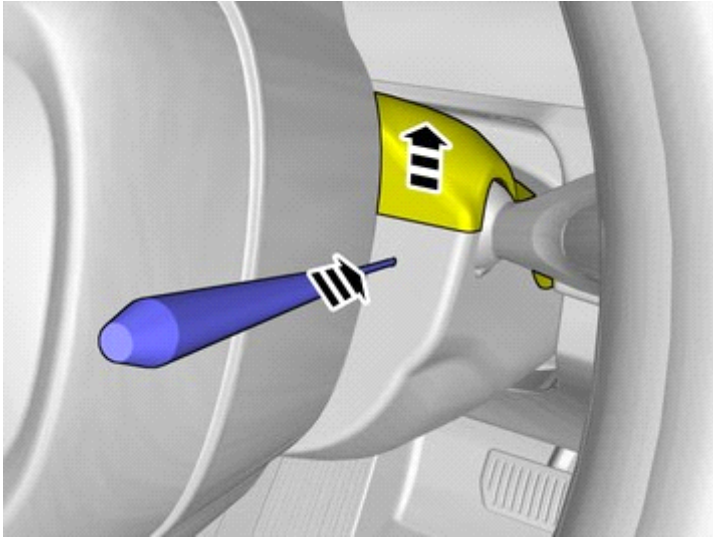
When removing on right-hand drive cars, perform the procedures on the opposite side and/or mirrored.

7



IMG-395203

8



IMG-395231

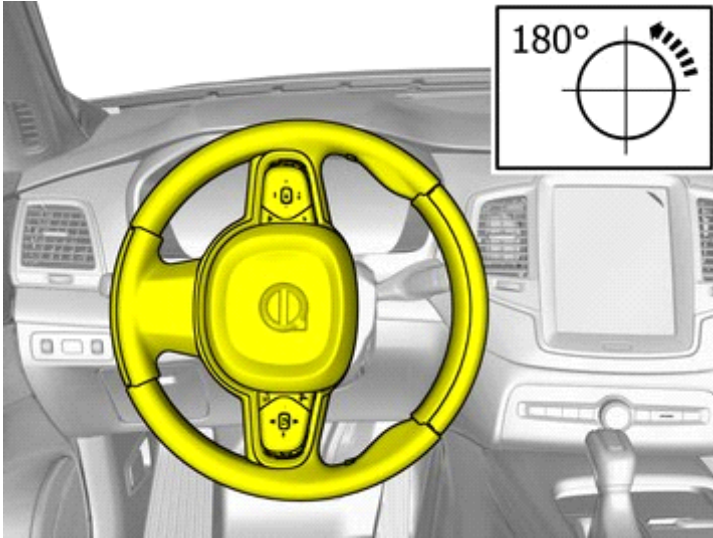
Release the lock.



Installation instructions, accessories

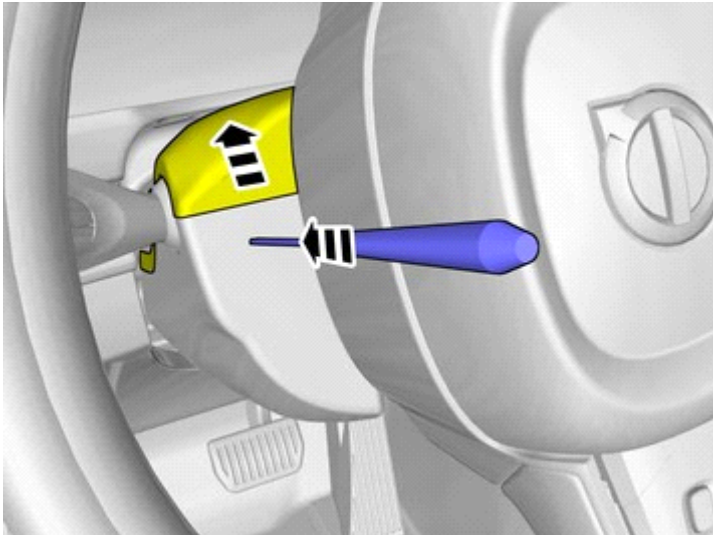
Volvo Car Corporation Gothenburg, Sweden

9



IMG-395232

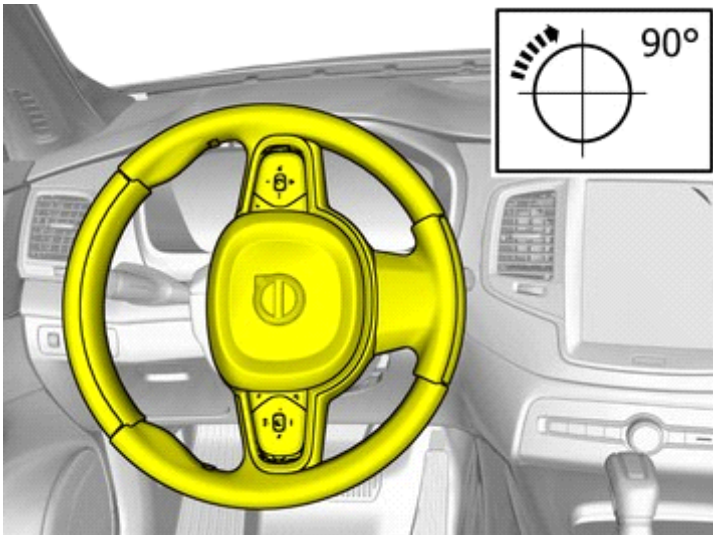
10



IMG-395236

Release the lock.

11



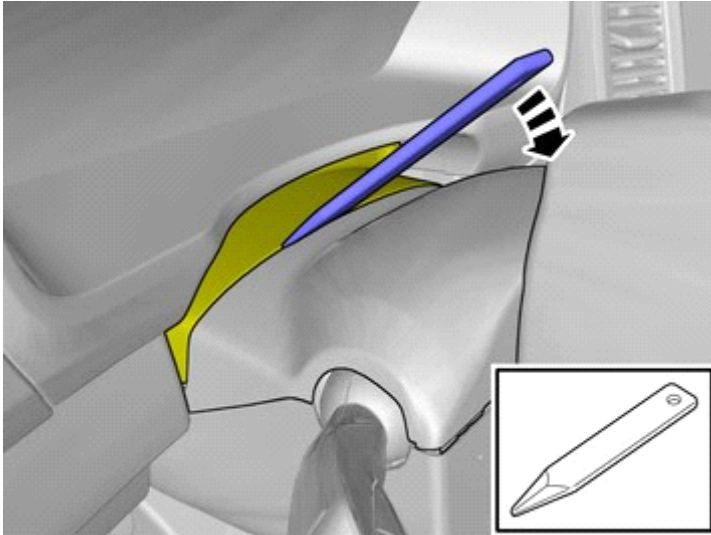
IMG-395252



Installation instructions, accessories

Volvo Car Corporation Gothenburg, Sweden

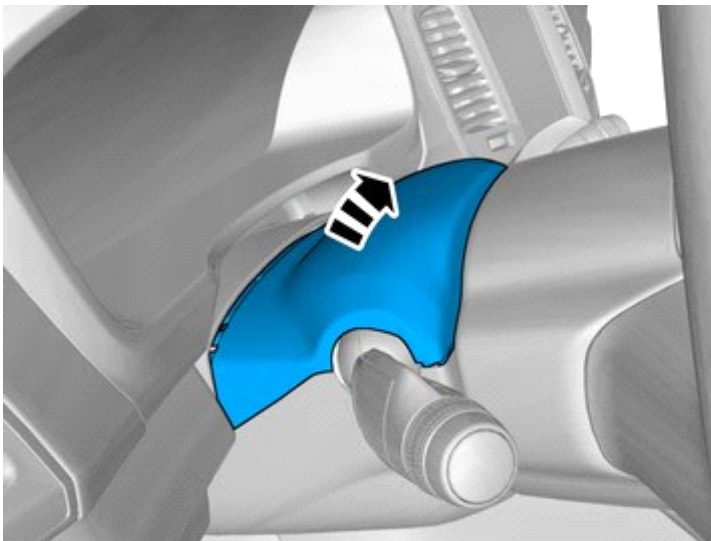
12



IMG-395250

Release the locks.

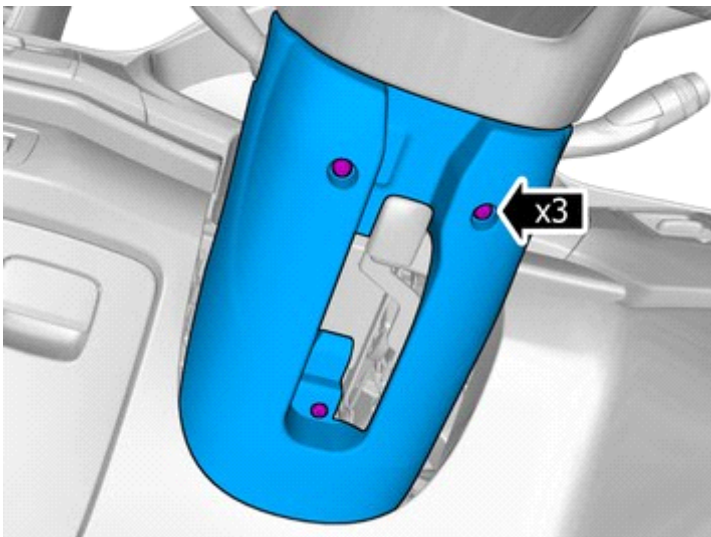
13



IMG-395260

Remove the panel.

14



IMG-395262

Remove the screws.

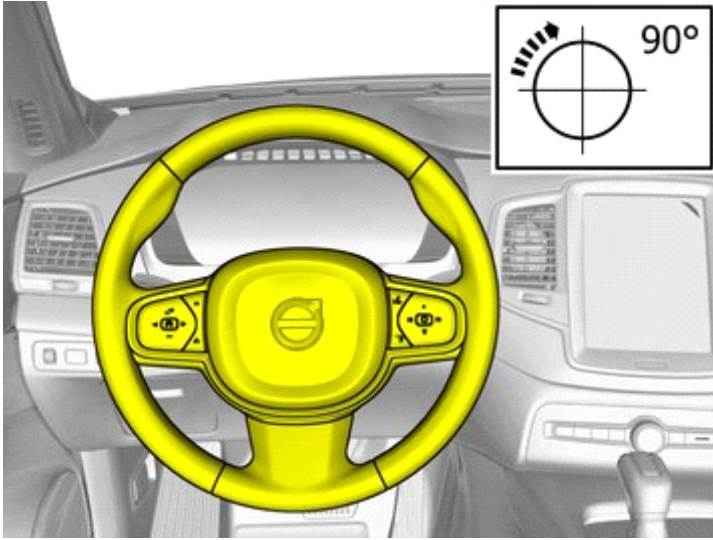
Remove the panel.



Installation instructions, accessories

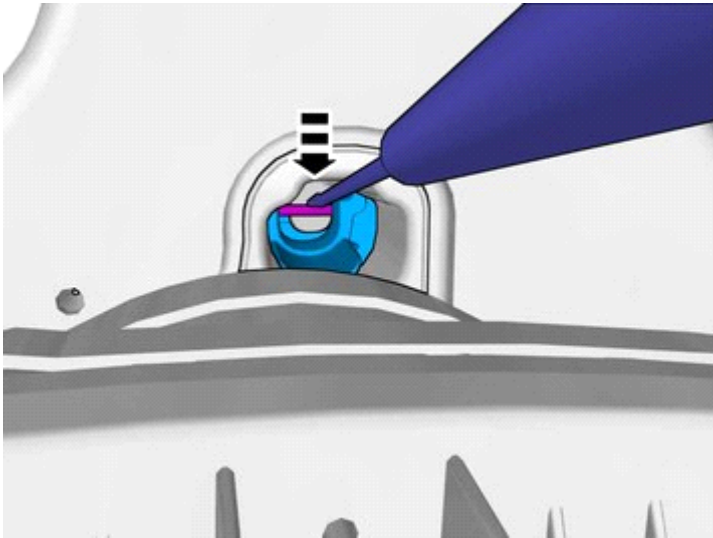
Volvo Car Corporation Gothenburg, Sweden

15



IMG-395203

16



IMG-395375

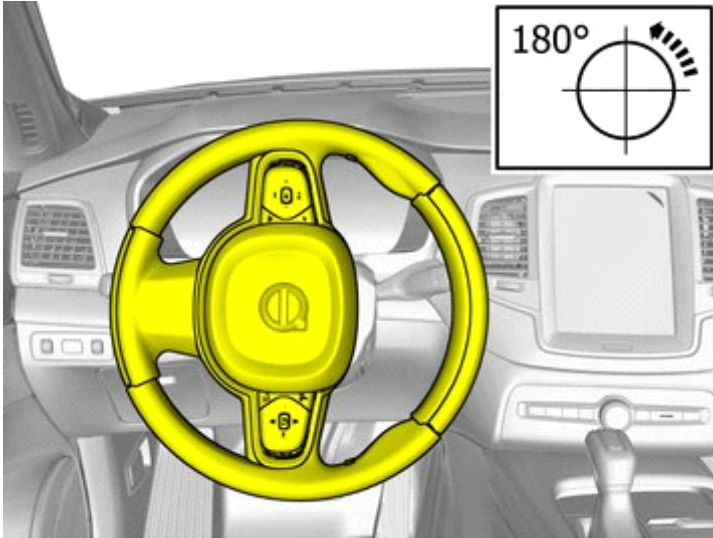
Release the lock.



Installation instructions, accessories

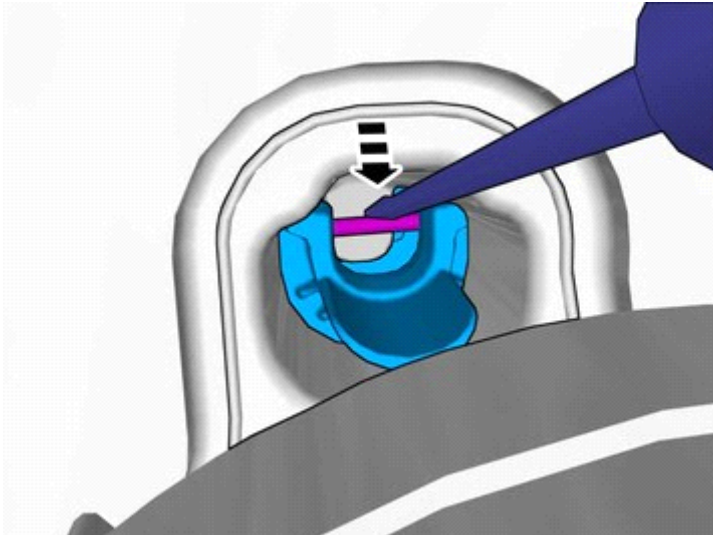
Volvo Car Corporation Gothenburg, Sweden

17



IMG-395232

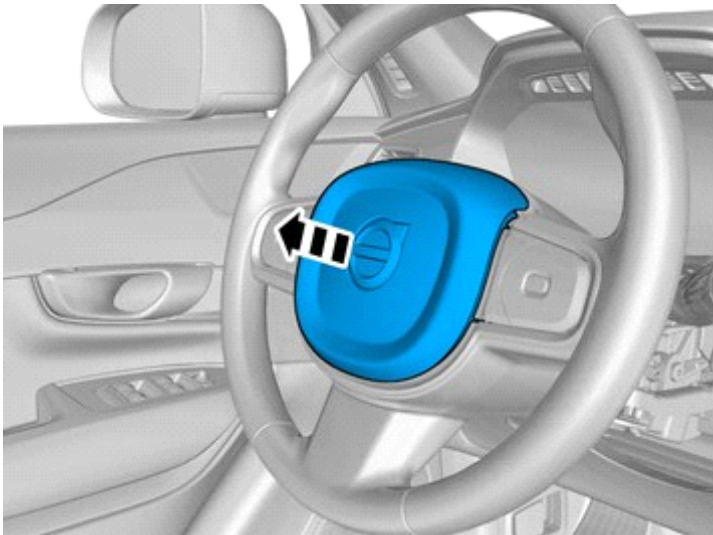
18



IMG-395391

Release the lock.

19



IMG-395397

Warning!

When temporarily storing a pyrotechnical component, it must always be positioned with its active part (e.g. air bag front or equivalent) facing up.

Remove the marked part.

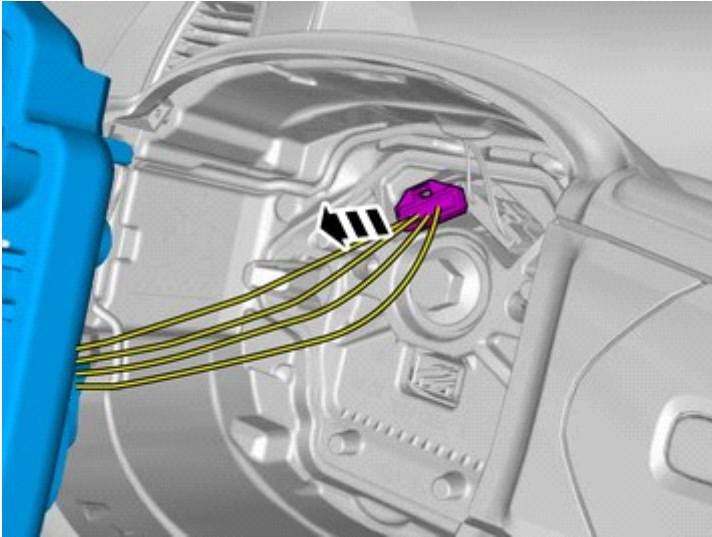
The part is to be reused.



Installation instructions, accessories

Volvo Car Corporation Gothenburg, Sweden

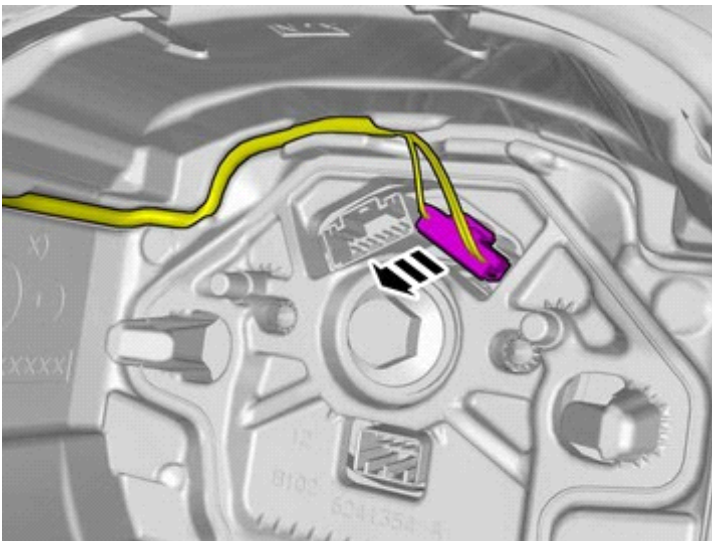
20



IMG-395457

Disconnect the connector.

21



IMG-395470

Disconnect the connector.

22



IMG-395471

Turn the steering wheel into neutral position.

Remove the screw.

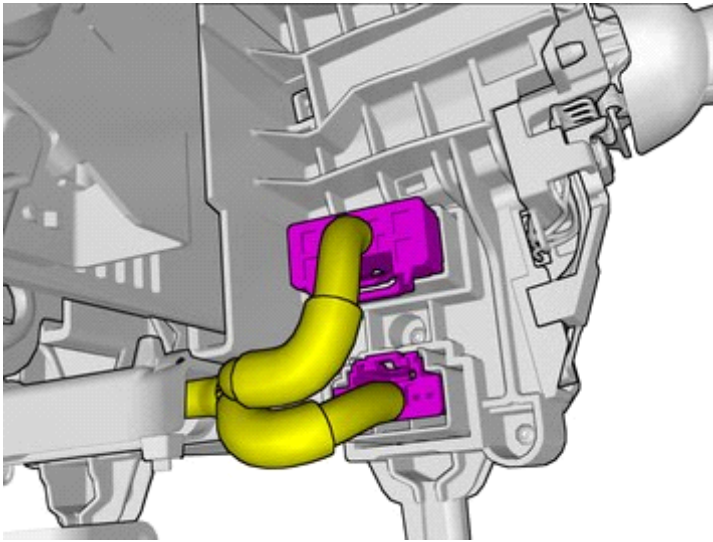
Remove the marked part.



Installation instructions, accessories

Volvo Car Corporation Gothenburg, Sweden

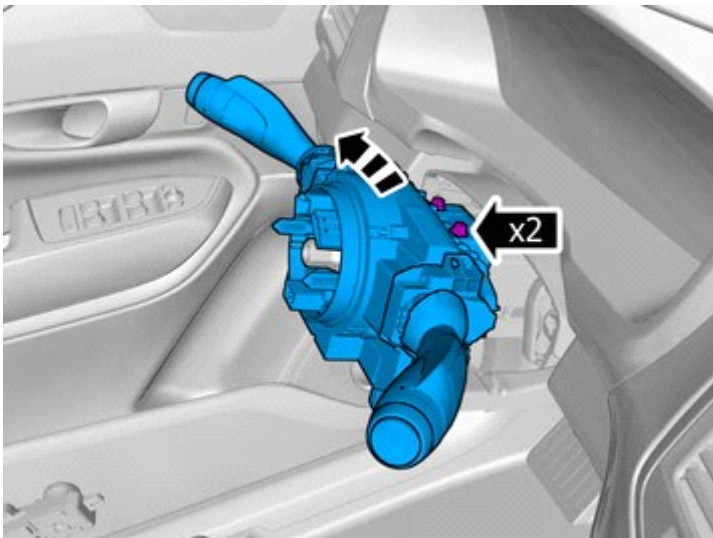
23



IMG-395570

Disconnect the connectors.

24



IMG-395560

Remove the screws.

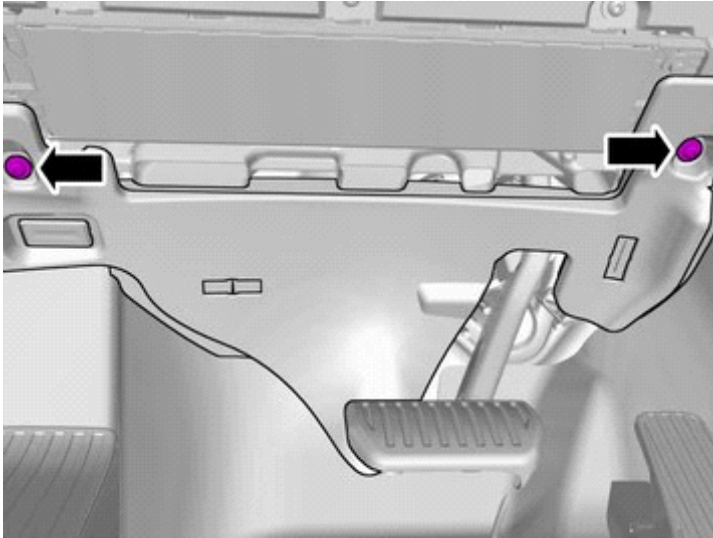
Remove the marked part.



Installation instructions, accessories

Volvo Car Corporation Gothenburg, Sweden

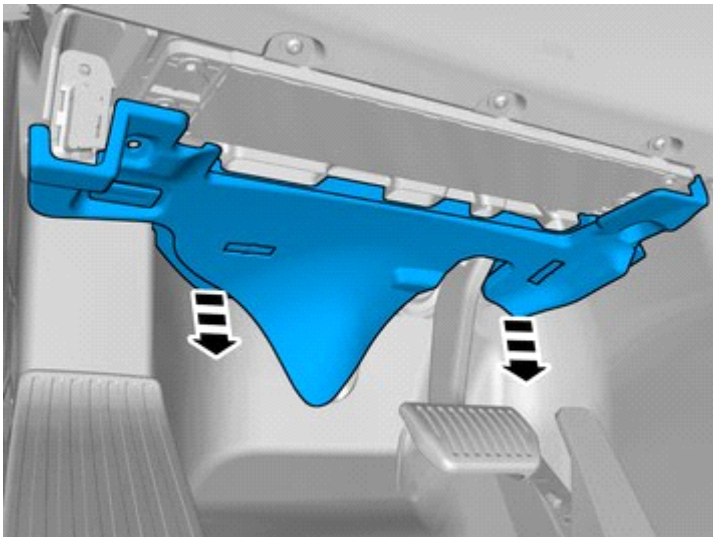
25



IMG-396065

Remove the screws.

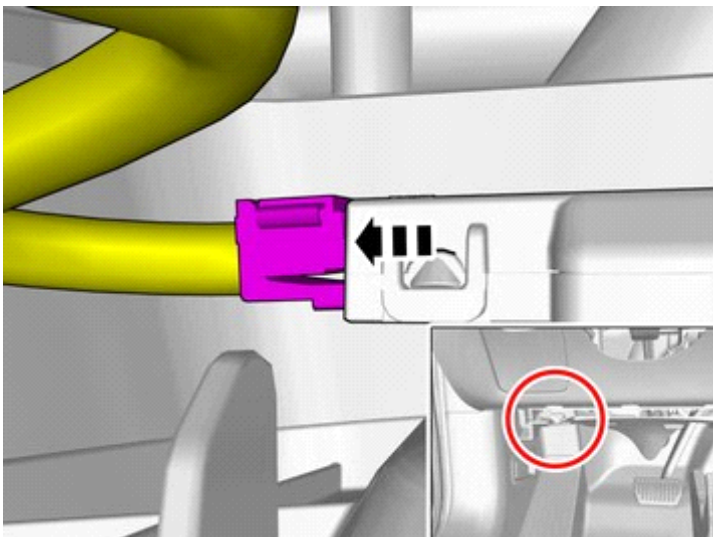
26



IMG-396066

Remove the panel.

27



IMG-396075

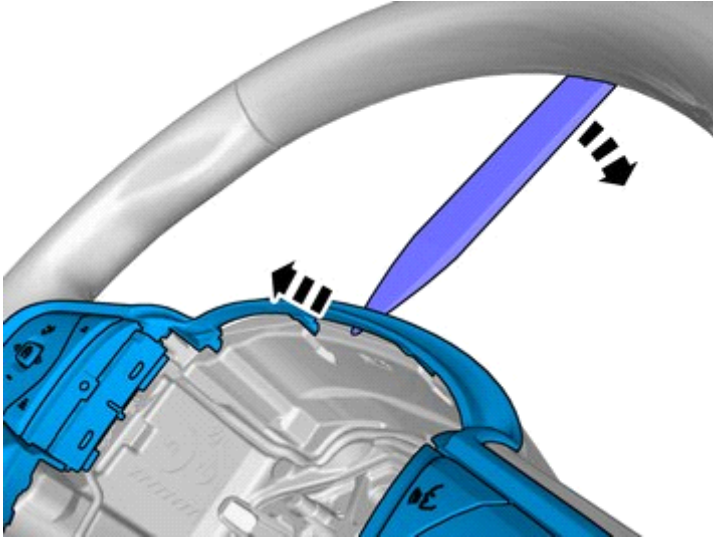
Disconnect the connector.



Installation instructions, accessories

Volvo Car Corporation Gothenburg, Sweden

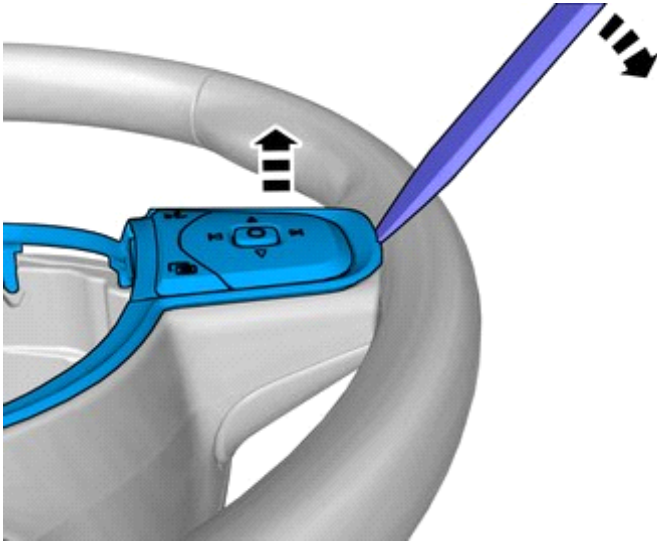
28



IMG-395670

Use: Interior trim remover

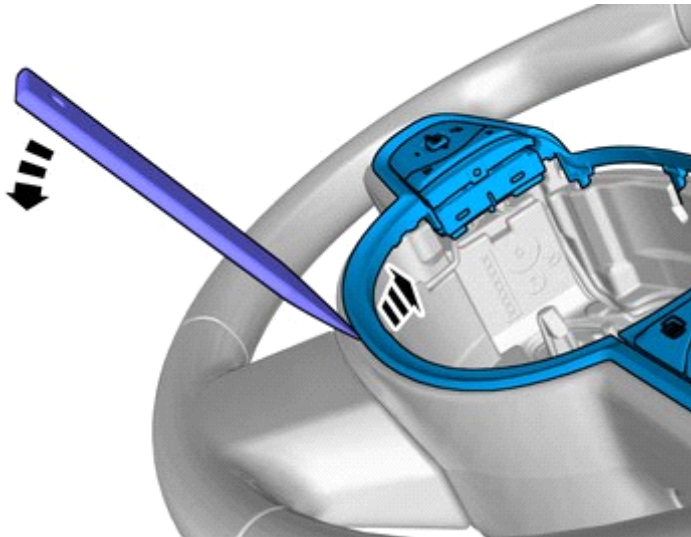
29



IMG-395671

Use: Interior trim remover

30



IMG-395681

Use: Interior trim remover

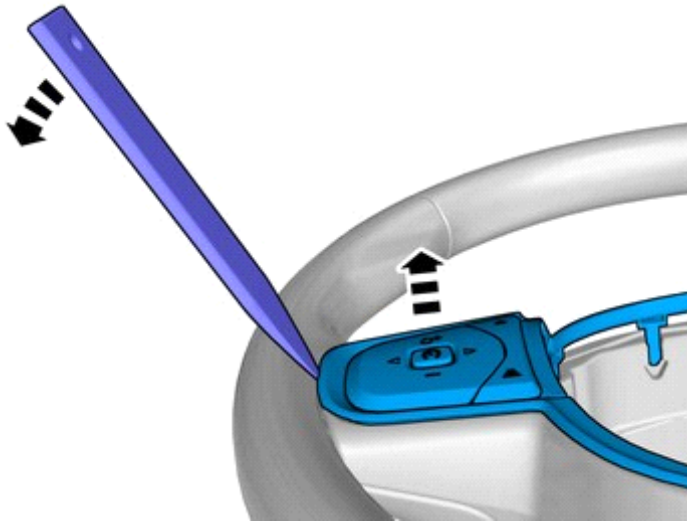


Installation instructions, accessories

Volvo Car Corporation Gothenburg, Sweden

31

Use: Interior trim remover



IMG-395682

32

Remove the marked part.



IMG-395680



Installation instructions, accessories

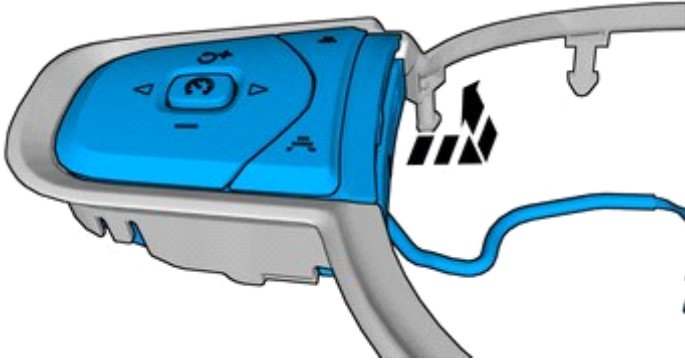
Volvo Car Corporation Gothenburg, Sweden

33

Remove the marked part.

Repeat on the other side.

The part is to be reused.



IMG-395701

Accessory installation

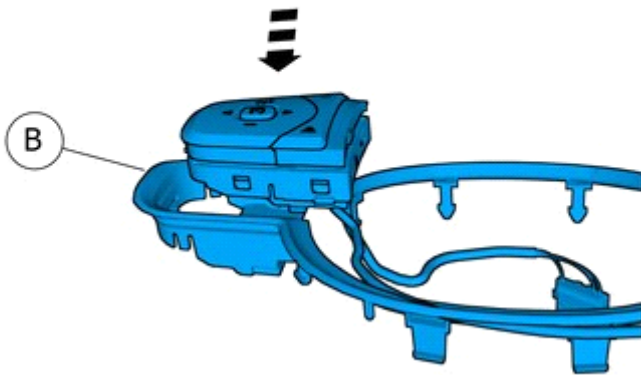
34

When installing on right-hand drive cars, perform the procedures on the opposite side and/or mirrored.

35

Repeated on the right-hand side.

Reuse existing parts.



IMG-395805

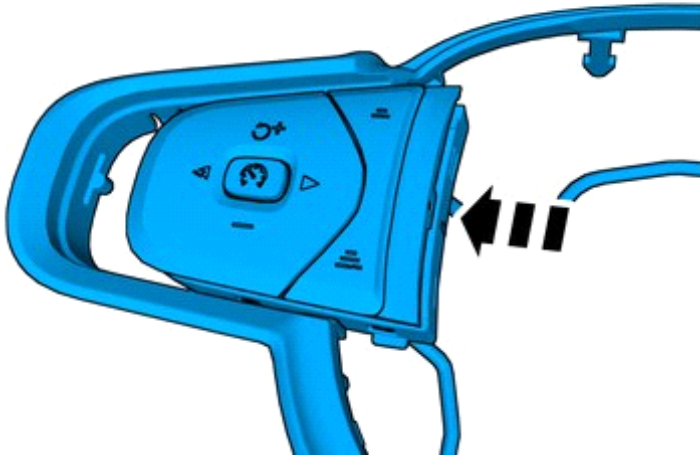


Installation instructions, accessories

Volvo Car Corporation Gothenburg, Sweden

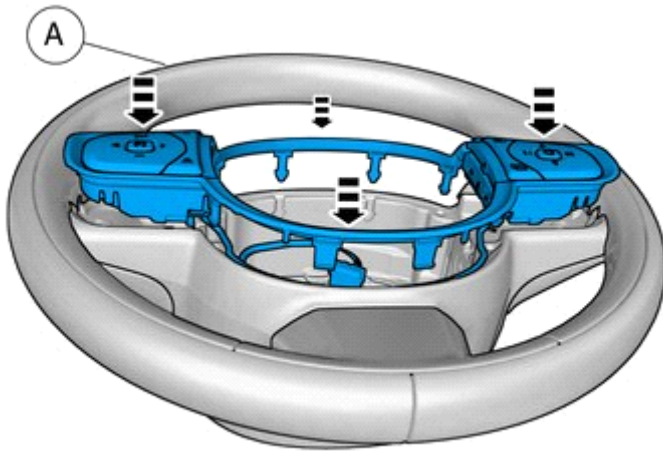
36

Repeated on the right-hand side.



IMG-395806

37



Note!
Only use moderate force.

IMG-395811

38



Position/route the cable harness as illustrated.

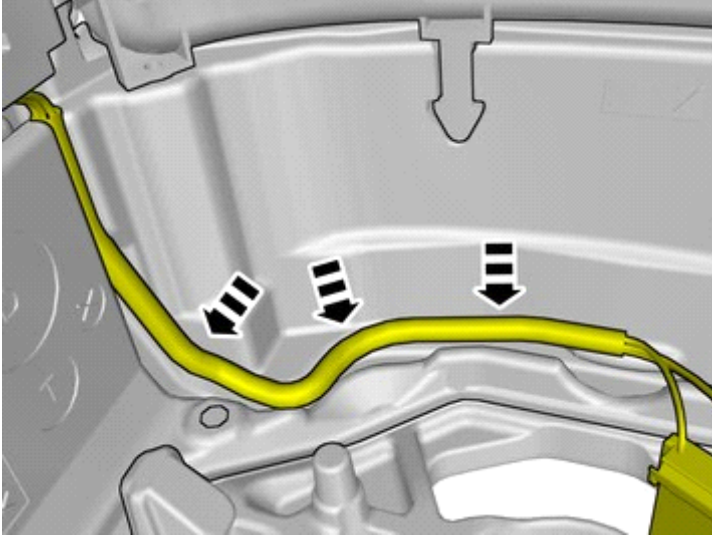
IMG-395820



Installation instructions, accessories

Volvo Car Corporation Gothenburg, Sweden

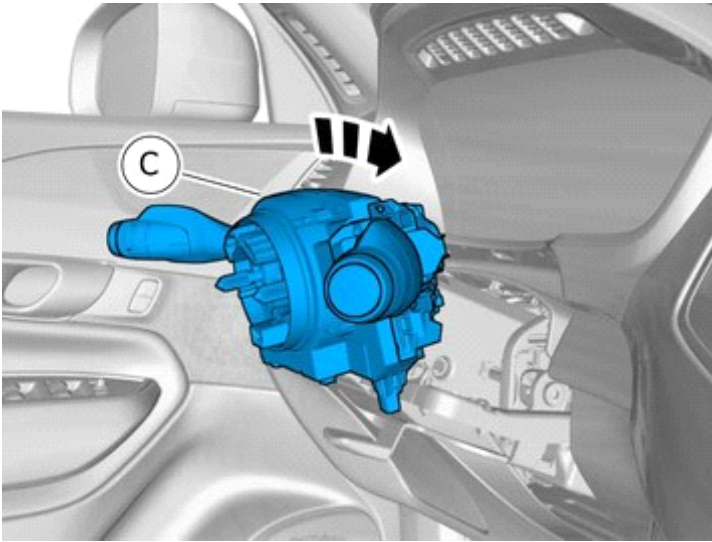
39



IMG-395825

Position/route the cable harness as illustrated.

40



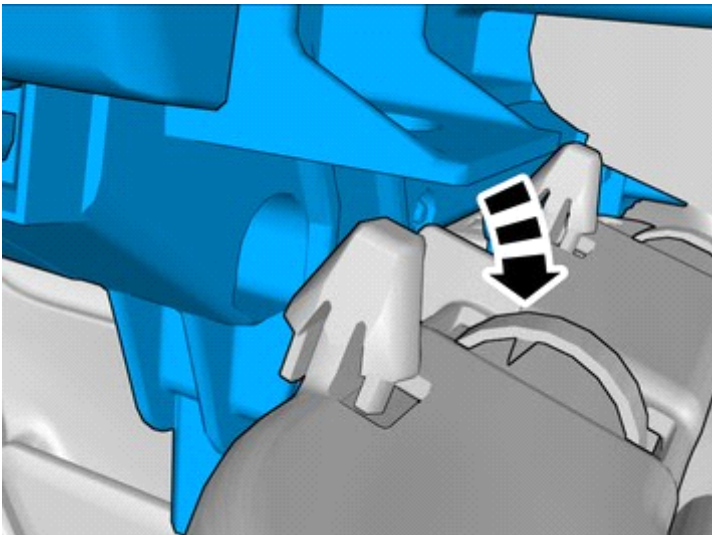
IMG-395910

Caution!

Take extra care when handling the component.

Install component that comes with the accessory kit.

41



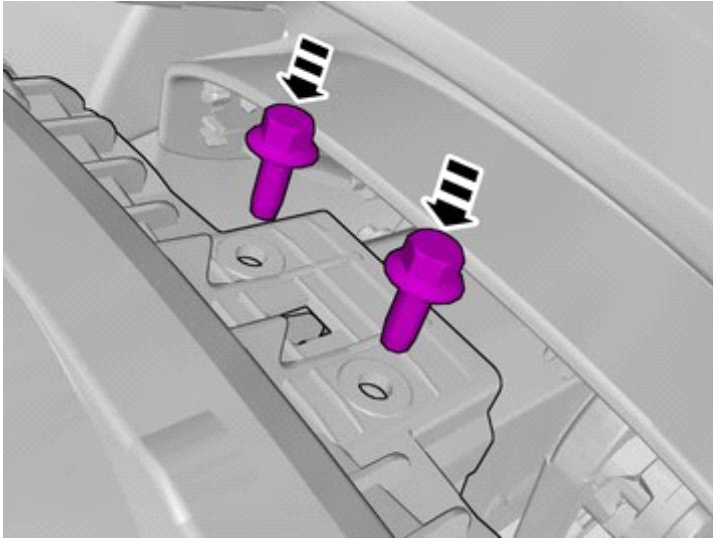
IMG-396176



Installation instructions, accessories

Volvo Car Corporation Gothenburg, Sweden

42

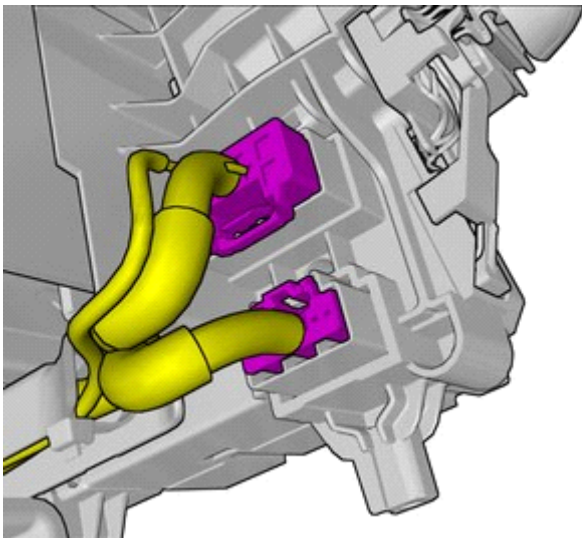


IMG-395935

Install the screws.

Tightening torque: Steering wheel module, to Steering column , 2.8 Nm

43



IMG-395923

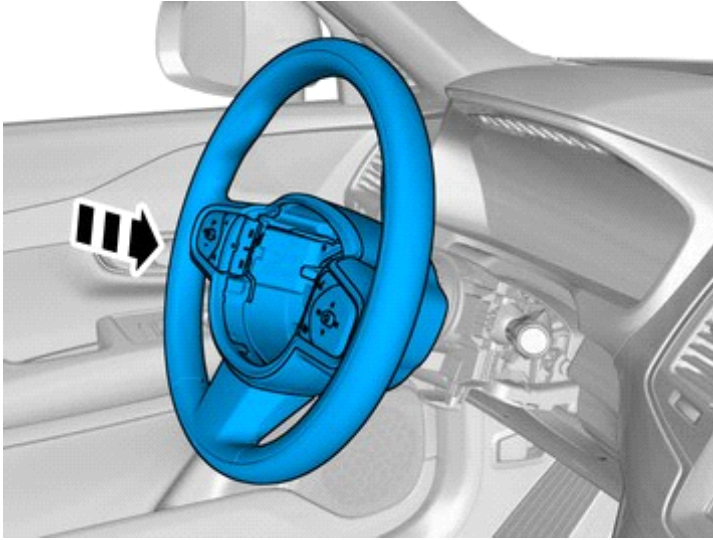
Connect the connectors.



Installation instructions, accessories

Volvo Car Corporation Gothenburg, Sweden

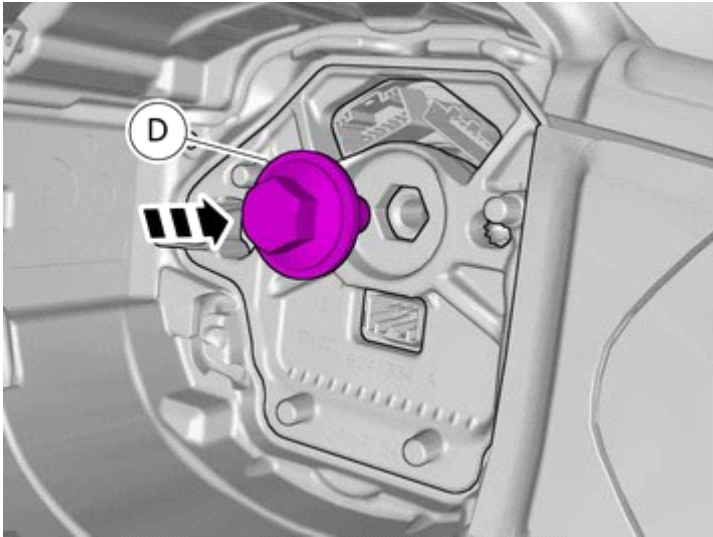
44



IMG-395945

Install component that comes with the accessory kit.

45



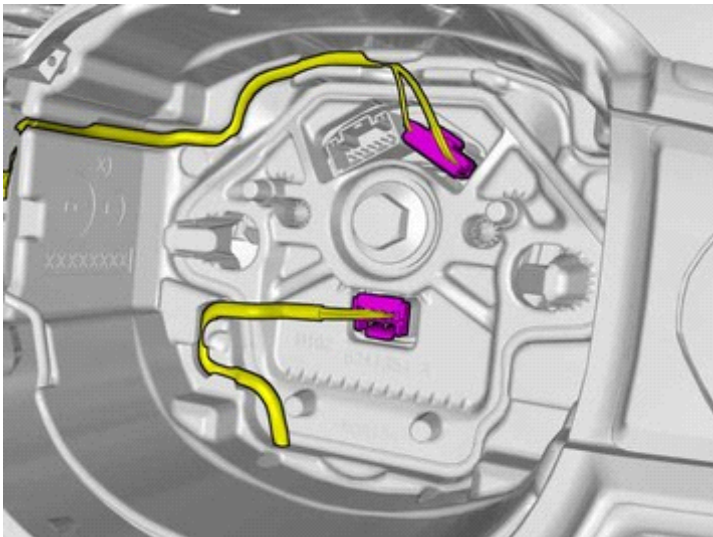
IMG-396020

Install component that comes with the accessory kit.

Tighten the screw.

Tightening torque: Steering wheel to steering column (center screw) , 60 Nm

46



IMG-395968

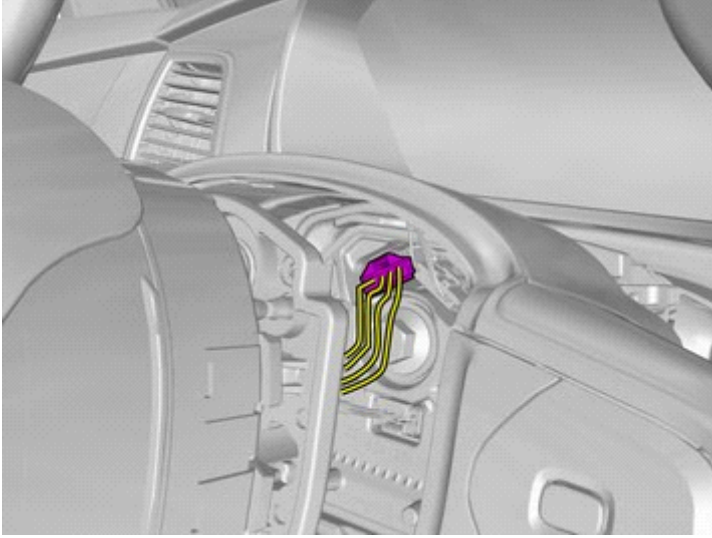
Connect the connectors.



Installation instructions, accessories

Volvo Car Corporation Gothenburg, Sweden

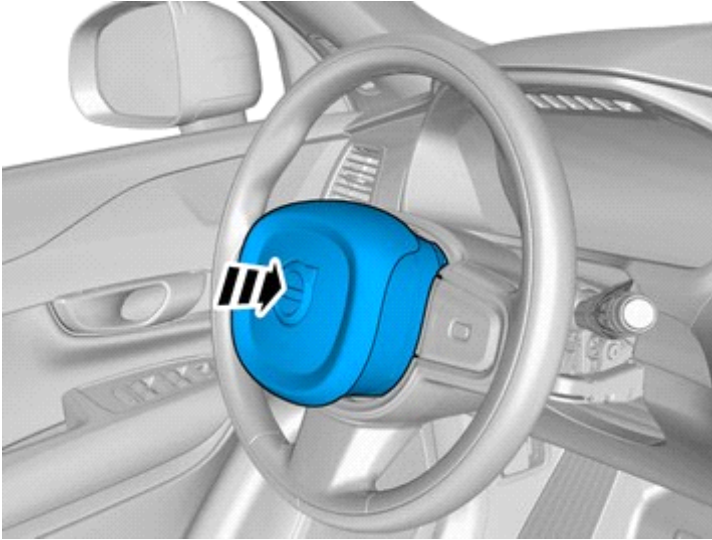
47



IMG-396035

Connect the connector.

48



IMG-396040

Reuse existing parts.

Press until a click is heard.

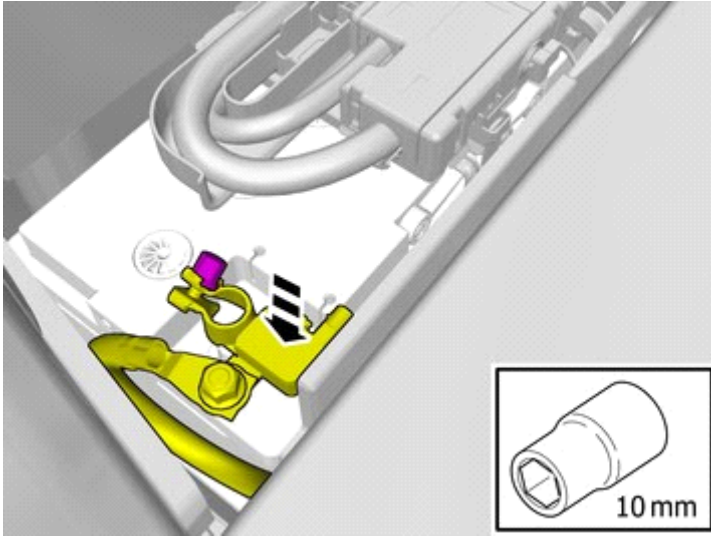
Installation



Installation instructions, accessories

Volvo Car Corporation Gothenburg, Sweden

49



IMG-394580

Reinstall the battery's negative cable.

Tightening torque: Battery cable for battery , 6 Nm

50



IMG-394531

Warning!

The first time the vehicle is activated after the battery has been disconnected, this must be performed from the rear seat, avoid the work area for the air bags.

51

Reinstall the removed parts in reverse order.

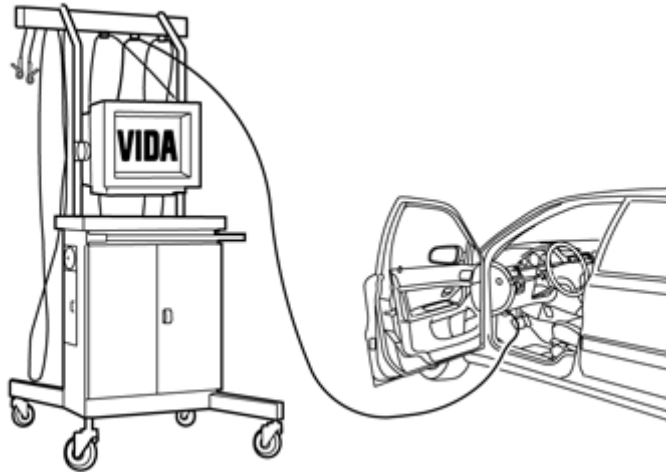
Accessory installation



Installation instructions, accessories

Volvo Car Corporation Gothenburg, Sweden

52



IMG-242268

Download software (application) for the accessory's function according to the service information in VIDA.

Order and download software according to: 31435701